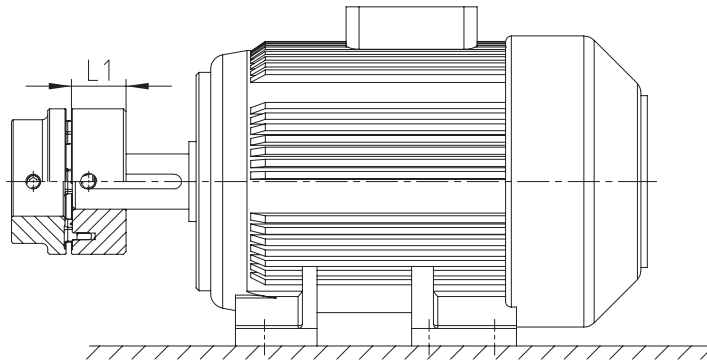


ROFLEX® N

Flexible jaw couplings

Selection of standard IEC motors



ROFLEX® couplings for standard IEC motors, protection class IP 54/IP 55 (elastomer ring 78 Shore A)														
Size	A. C. motor 50 Hz Shaft end DWxLW [mm]		Motor power n=3000 rpm 2 poles		ROFLEX® coupling size	Motor power n=1500 rpm 4 poles		ROFLEX® coupling size	Motor power n=1000 rpm 6 poles		ROFLEX® coupling size	Motor power n=750 rpm 8 poles		ROFLEX® coupling size
	2 poles	4, 6, 8 poles	Power P [kW]	Torque T [Nm]		Power P [kW]	Torque T [Nm]		Power P [kW]	Torque T [Nm]		Power P [kW]	Torque T [Nm]	
56	9 x 20		0.09	0.32		0.06	0.43		0.037	0.43				
			0.12	0.41		0.09	0.64		0.045	0.52				
63	11 x 23		0.18	0.62		0.12	0.88		0.06	0.7				
			0.25	0.86		0.18	1.3		0.09	1.1				
71	14 x 30		0.37	1.3		0.25	1.8		0.18	2		0.09	1.4	
			0.55	1.9		0.37	2.5		0.25	2.8		0.12	1.8	
80	19 x 40		0.75	2.5		0.55	3.7		0.37	3.9		0.18	2.5	
			1.1	3.7		0.75	5.1		0.55	5.8		0.25	3.5	
90S	24 x 50		1.5	5	68	1.1	7.5	68	0.75	8	68	0.37	5.3	
90L			2.2	7.4		1.5	10		1.1	12		0.55	7.9	
100L	28 x 60		3	9.8		2.2	15		1.5	15		0.75	11	68
						3	20					1.1	16	
112M			4	13		4	27		2.2	22		1.5	21	
			5.5	18								2.2	30	
132S	38 x 80		7.5	25		5.5	36		3	30		2.2	30	
132M						7.5	49		4	40		3	40	
160M	42 x 110		11	36	80	11	72	95	7.5	75	95	4	54	80
			15	49		15	98		11	109		5.5	74	
160L			18.5	60		18.5	121				110	7.5	100	
180M			22	71		22	144		110	11		145	110	
180L	48 x 110				95			110	15	148	110	11	145	110
200L	55 x 110		30	97		30	196		18.5	181	125	15	198	
			37	120										
225S	55 x 110 60 x 140				110	37	240	125	22	215	140	18.5	244	125
225M														
250M	60 x 140 65 x 140		45	145	125	45	292	160	30	293	160	22	290	140
280S														
280M	75 x 140		75	241	140	75	484	180	45	438	160	37	483	160
315S														
315M	80 x 170		90	289		90	581		55	535		45	587	180
			110	353										
315L	65 x 140		132	423	160	132	849	200	90	873	200	75	971	200
			160	513										
315	85 x 170		200	641	180	200	1290	225	132	1280	225	110	1420	225
355	75 x 140 95 x 170		250	802		250	1600		160	1550		132	1710	
			315	1010										
400	80 x 170 110 x 210		355	1140	200	355	2280					250	3220	
			400	1280										
450	90 x 170 120 x 200		500	1600	225	500	3210		315	3040		315	4060	
			560	1790										
450	90 x 170 120 x 200		630	2020		630	4030		400	3850		400	5150	
			710	2270										
450	90 x 170 120 x 200		800	2560		800	5120		560	5390		450	5790	
			900	2880										
			1000	3200		1000	6400		710	6830		560	7190	
									800	7690		630	8090	

The coupling selection is based on an ambient temperature of up to +30 °C. The selection is based on a minimum safety factor of 2 to the max. coupling torque (TK max).

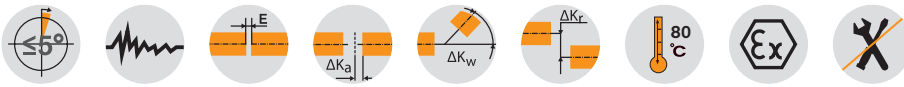
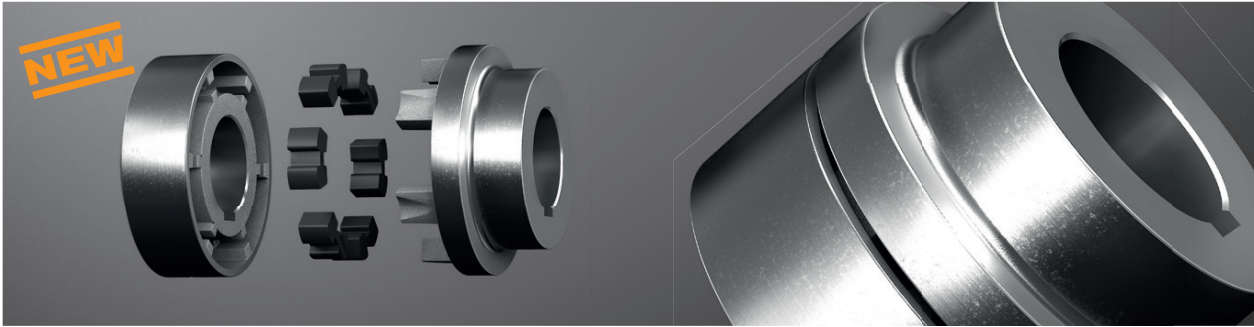
A detailed selection is possible according to catalogue page 15 et seqq. Drives with periodical torque curves must be selected according to DIN 740 part 2.

If requested, KTR will perform the selection.

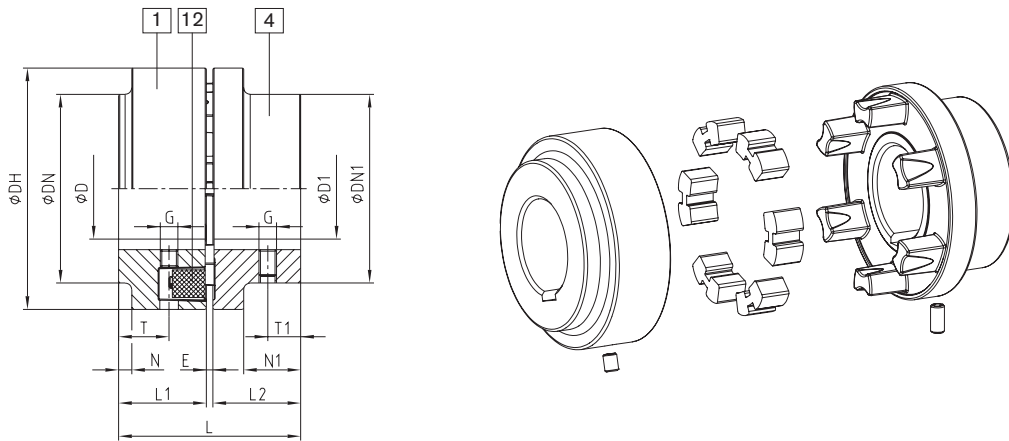
Torque T = rated torque according to Siemens catalogue M 11 · 1994/95.

ROFLEX® N Flexible jaw couplings

Two-part



Components



ROFLEX® type N																				
Size	Torque		Max. speed [rpm]	Dimensions														Mass moment of inertia J1 [kgm ² ¹⁾	Mass moment of inertia J4 [kgm ² ¹⁾	Weight [kg] ¹⁾
	T _{KN} [Nm]	T _{K max} [Nm]		Max. finish bore				General						Thread for setscrews						
			D	D1	L	L1, L2	E	DH	DN	DN1	N	N1	G	T	T1	TA [Nm]				
68	65	180	8500	28	38	43	20	3	68	-	-	-	-	M5	8.5	8	2	0.00016	0.00029	0.6
80	80	220	7500	35	45	63	30	3	80	-	68	-	20	M8	20.5	12	10	0.00059	0.00055	1.2
95	125	345	6800	45	48	73	35	3	95	76	76	5	23	M8	22	15	10	0.00116	0.00120	1.9
110	205	565	6500	50	55	83	40	3	110	86	86	6	26	M8	24	18	10	0.0024	0.0024	2.9
125	315	865	5800	60	65	103	50	3	125	100	100	14	32	M8	32	20	10	0.0046	0.0052	4.5
140	450	1240	5400	70	65	113	55	3	140	100	100	21	35	M10	13	22	17	0.0062	0.0077	5.3
160	790	2170	4800	75	70	124	60	4	160	108	108	21	40	M10	13	25	17	0.014	0.013	8.1
180	1150	3160	4350	85	80	144	70	4	180	125	125	28	50	M10	16	32	17	0.021	0.023	11.0
200	1800	4950	3950	90	90	164	80	4	200	140	140	33	56	M12	20	40	40	0.038	0.044	16.3
225	2100	5775	3600	100	100	184	90	4	225	150	150	38	72	M12	22	40	40	0.06	0.06	20.4
250	3550	9765	3000	110	110	205.5	100	5.5	250	165	165	40	82	M16	24	45	80	0.11	0.10	28.2
280	5000	13750	3000	120	120	225.5	110	5.5	280	180	180	45	90	M16	28	45	80	0.19	0.16	38.1

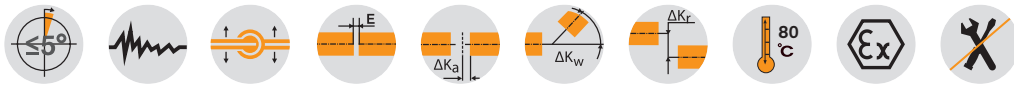
¹⁾ Mass moments of inertia J1 and J4 as well as the total weight refer to the maximum bore diameters

Ordering example:	ROFLEX® 110	N	ØD = 50	ØD1 = 55
	Coupling size	Type	Finish bore	Finish bore

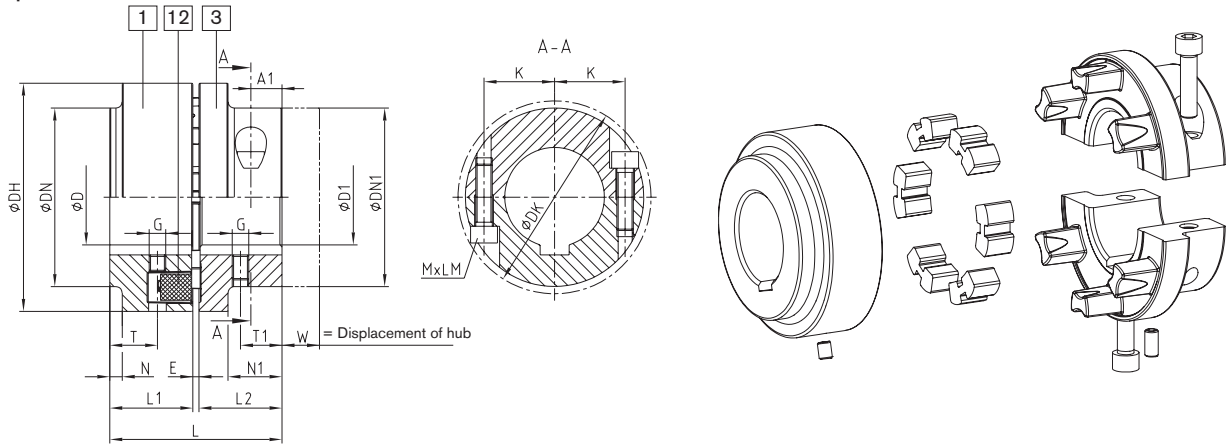
ROFLEX® SH

Flexible jaw couplings

Coupling with SPLIT hub



Components



ROFLEX® type SH																												
Size	Torque		Max. speed [rpm]	Dimensions														Mass moment of inertia J1 [kgm²] ¹)	Mass moment of inertia J3 [kgm²] ¹)	Weight [kg] ¹)								
	T _{KN} [Nm]	T _{K max} [Nm]		Max. finish bore				General					Thread for setscrews				Cap screws											
			D	D1	L	L1	L2	E	DH	DN	DN1	N	N1	W	G	T	T1	T _A [Nm]	MxLM	DK	K	A1	A2	T _A [Nm]				
80	80	220	7500	35	38	63	30	30	3	80	80	68	-	20	15.5	M8	20.5	12	10	M8x25	75	25	11	-	34	0.00059	0.00058	1.3
95	125	345	6800	45	42	73	35	35	3	95	76	76	5	23	18	M8	22	15	10	M8x30	82	28.5	13	-	34	0.00116	0.00123	2.0
110	205	565	6500	50	48	83	40	40	3	110	86	86	6	26	21	M8	24	18	10	M8x35	94	31.5	15	-	34	0.0024	0.0025	3.1
125	315	865	5800	60	55	103	50	50	3	125	100	100	14	32	23.5	M8	32	20	10	M10x40	108	38.5	20	-	67	0.0046	0.0052	4.5
140	450	1240	5400	70	60	113	55	55	3	140	100	100	21	35	25	M10	13	22	17	M10x35	108	39.0	10.5	25.5	67	0.0062	0.0080	5.7
160	790	2170	4800	75	65	124	60	60	4	160	108	108	21	40	30	M10	13	25	17	M12x35	118	42.5	12	29	115	0.014	0.014	8.5
180	1150	3160	4350	85	75	144	70	70	4	180	125	125	28	50	32	M10	16	32	17	M12x40	135	50	15	35	115	0.021	0.024	11.6
200	1800	4950	3950	90	85	164	80	80	4	200	140	140	33	56	34	M12	20	40	40	M16x50	153	54	17	40	290	0.038	0.044	17.8
225	2100	5775	3600	100	90	184.0	90	90	4.0	225	150	150	38	73	39.0	M12	22	40	40	M20x50	170	58	22	30	560	0.06	0.06	20.4
250	3550	9765	3000	110	100	205.5	100	100	5.5	250	165	165	40	82	44.5	M16	24	40	80	M20x55	182	63	25	35	560	0.11	0.1	28.2
280	5000	13750	3000	120	120	225.5	110	110	5.5	280	180	180	45	90	50.0	M16	28	45	80	M16x60	194	72	17	29	290	0.19	0.16	38.1

¹) Mass moments of inertia J1 and J3 as well as the total weight refer to the maximum bore diameters

Ordering example:	ROFLEX® 110	SH	ØD = 42	ØD1 = 48
	Coupling size	Type	Finish bore	Finish bore